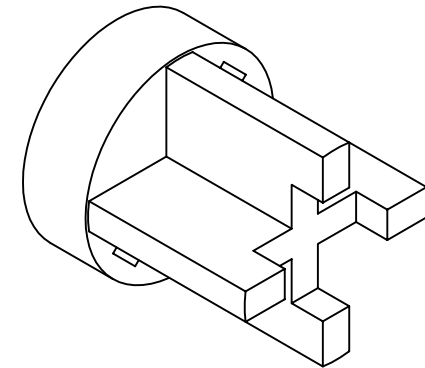


PART NO.	"A"
LEDS2E-3-01	3/16 (4.8)
LEDS2E-4-01	1/4 (6.5)
LEDS2E-6-01	3/8 (9.5)
LEDS2E-8-01	1/2 (12.7)
LEDS2E-10-01	5/8 (15.9)
LEDS2E-12-01	3/4 (19.1)
LEDS2E-14-01	7/8 (22.2)
LEDS2E-16-01	1 (25.4)



NOTES:

- MATERIAL: NYLON 6/6 (RMS-01)
FLAME RETARDANT, NYLON (RMS-19),
AVAILABLE BY SPECIAL ORDER ONLY.
TO ORDER, REPLACE "-01" WITH "-19"
- COLOR: NATURAL.

TITLE: LED SPACER (TYPE 2E)			DWG IN IN (MM)		FINAL		PRINT TYPE			
E	ADDED MAT'L NOTES	SM 06.05.02	FILE #	LEDS2E	DWN:	JB	APP:	PART # SEE TABLE	CA	
D	CHANGED FILE NO.	SM 02.27.02	MAT'L:	SEE NOTES	DT:	1.25.96	DT:			
C	CORRECTED DIM .04 & .08	SM 02.13.01	RE:	RICHCO, INC.	RICHCO INC. PO BOX 804238, CHICAGO, 60680 (773) 539-4060					
B	COMPLETELY REDRAWN TO UK NEW STYLE	JK 9.10.99	TOLERANCES UNLESS NOTED							
A	ORIGINALLY DRAWN BY JB	JB 1.25.96	.XX=±.010 .XXX=±.005 FRAC=±1/64 ANG=±1°							
REV	DESCRIPTION	ENGR DATE								